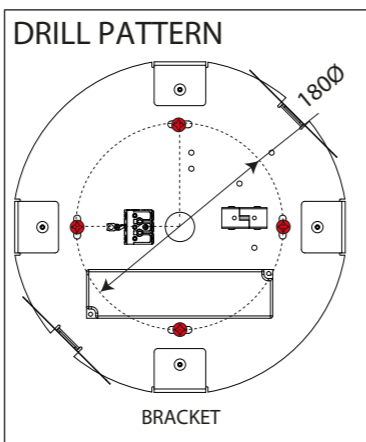


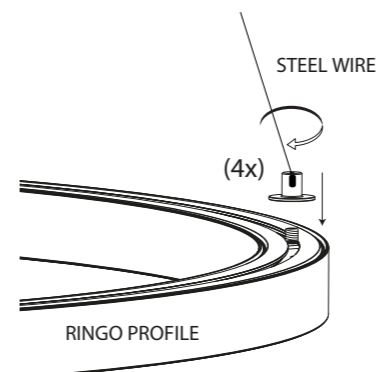
NAME	RINGO 1185 SUSPENSION CI		
REFERENCE	298025 - 180° LEDLINE 2700K - ANODIC BROWN TYPE A	F A G	
	298026 - 180° LEDLINE 2700K - TEXT. BLACK TYPE A		
	298027 - 180° LEDLINE 2700K - TEXT. WHITE TYPE A	1,9 kg	
	298035 - 180° LEDLINE 3000K - ANODIC BROWN TYPE A		
	298036 - 180° LEDLINE 3000K - TEXT. BLACK TYPE A		
	298037 - 180° LEDLINE 3000K - TEXT. WHITE TYPE A		
	298045 - 180° LEDLINE 4000K - ANODIC BROWN TYPE A		
	298046 - 180° LEDLINE 4000K - TEXT. BLACK TYPE A		
	298047 - 180° LEDLINE 4000K - TEXT. WHITE TYPE A		
	298125 - 90° LEDLINE 2700K + 90° 3xM10 - ANODIC BROWN TYPE B		F A G
	298126 - 90° LEDLINE 2700K + 90° 3xM10 - TEXT. BLACK TYPE B		
			298127 - 90° LEDLINE 2700K + 90° 3xM10 - TEXT. WHITE TYPE B
298135 - 90° LEDLINE 3000K + 90° 3xM10 - ANODIC BROWN TYPE B			
298136 - 90° LEDLINE 3000K + 90° 3xM10 - TEXT. BLACK TYPE B			
298137 - 90° LEDLINE 3000K + 90° 3xM10 - TEXT. WHITE TYPE B			
298145 - 90° LEDLINE 4000K + 90° 3xM10 - ANODIC BROWN TYPE B			
298146 - 90° LEDLINE 4000K + 90° 3xM10 - TEXT. BLACK TYPE B			
298147 - 90° LEDLINE 4000K + 90° 3xM10 - TEXT. WHITE TYPE B			
298225 - 180° 6xM10 - ANODIC BROWN TYPE C		F A G	
298226 - 180° 6xM10 - TEXT. BLACK TYPE C			
298227 - 180° 6xM10 - TEXT. WHITE TYPE C			
	298425 - 180° EMPTY - ANODIC BROWN TYPE D	1,7 kg	
	298426 - 180° EMPTY - TEXT. BLACK TYPE D		
	298427 - 180° EMPTY - TEXT. WHITE TYPE D		
	298525 - 90° EMPTY + 90° 3xM10 - ANODIC BROWN TYPE E	2 kg	
	298526 - 90° EMPTY + 90° 3xM10 - TEXT. BLACK TYPE E		
	298527 - 90° EMPTY + 90° 3xM10 - TEXT. WHITE TYPE E		
	298615 - 90° LEDLINE 2700K + 90° EMPTY - ANODIC BROWN TYPE F	F A G	
	298616 - 90° LEDLINE 2700K + 90° EMPTY - TEXT. BLACK TYPE F		
	298617 - 90° LEDLINE 2700K + 90° EMPTY - TEXT. WHITE TYPE F		
	298635 - 90° LEDLINE 3000K + 90° EMPTY - ANODIC BROWN TYPE F		
	298636 - 90° LEDLINE 3000K + 90° EMPTY - TEXT. BLACK TYPE F		
	298637 - 90° LEDLINE 3000K + 90° EMPTY - TEXT. WHITE TYPE F		
	298645 - 90° LEDLINE 4000K + 90° EMPTY - ANODIC BROWN TYPE F		
	298646 - 90° LEDLINE 4000K + 90° EMPTY - TEXT. BLACK TYPE F		
	298647 - 90° LEDLINE 4000K + 90° EMPTY - TEXT. WHITE TYPE F		
			297905 SUSP SET BASE 2P (ledline) ANODIC BROWN
297902 SUSP SET BASE 2P (ledline) BLACK			
297901 SUSP SET BASE 2P (ledline) WHITE			
297915 SUSP SET BASE 4P (ledline+spot) ANODIC BROWN			
297912 SUSP SET BASE 4P (ledline+spot) BLACK			
297911 SUSP SET BASE 4P (ledline+spot) WHITE			
SPECIFICATIONS	Lamptype	ledline = curved led array, spot = Luxeon M or BR.LUX (LES 9)	
	Symbol		
	CCT	2700K - 3000K - 4000K / spot (see manual)	
	Luminous flux	ledline = 4160lm per 180° (A), per spot = see manual	
	Power	ledline = 38W per 180° (A), per spot = see manual	
	Voltage	230V 50-60Hz AC	
	CRI	ledline = 80, spot = 90	
	SDCM	3	
	Beamangle	ledline = lambertian, spot = 36°	
	Orientability	only for spot = 359° rotating & 90° tilting	
Gear	converter incorporated in base		
Dimmability	depending on base		
Safe distance to object	0,1m		
Class / IP	IP20		
Application	interior - ceiling suspended		

INSTALLATION

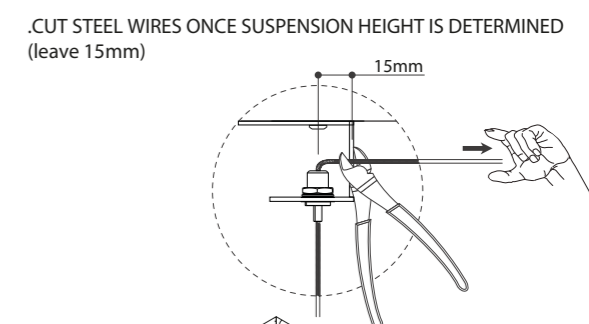
- MOUNT BRACKET TO CEILING VIA DRILL PATTERN
 .MAKE PRIMARY ELECTRICAL CONNECTION IN CONNECTOR A (3p or 5p for 1-10V dimm)
 (see wiring schemes on next page & LEAVE UNSWITCHED)



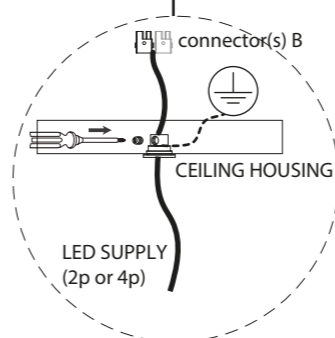
- PREPARE SUSPENSION WIRES (4x @90°)
 AND SCREW KNURLED KNOBS TO BRASS INSERTS (M5)
 ON TOP OF RINGO PROFILE



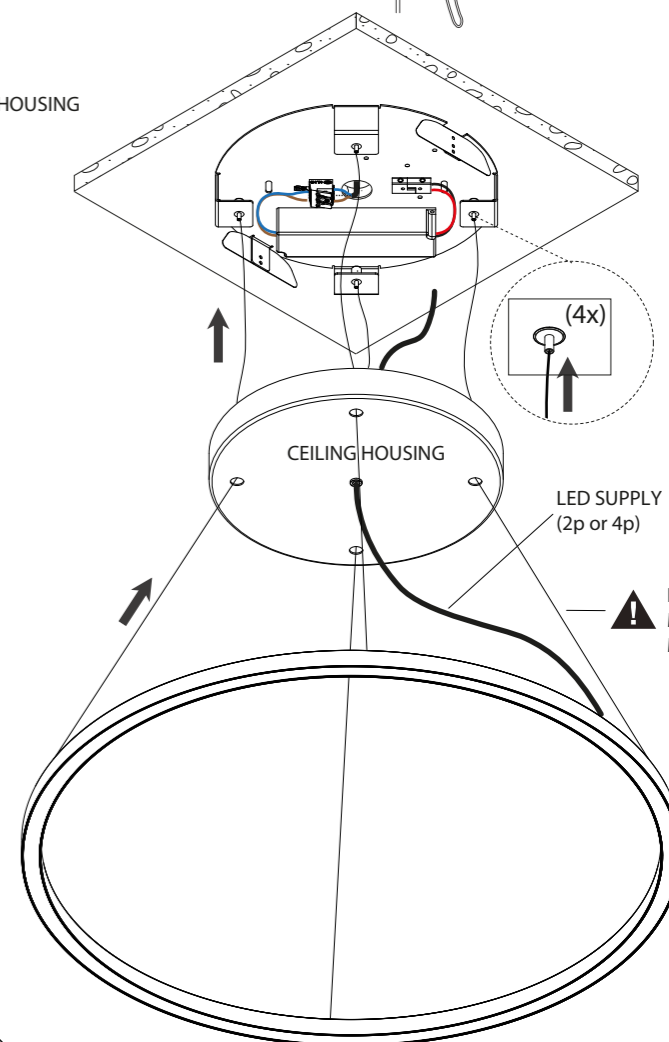
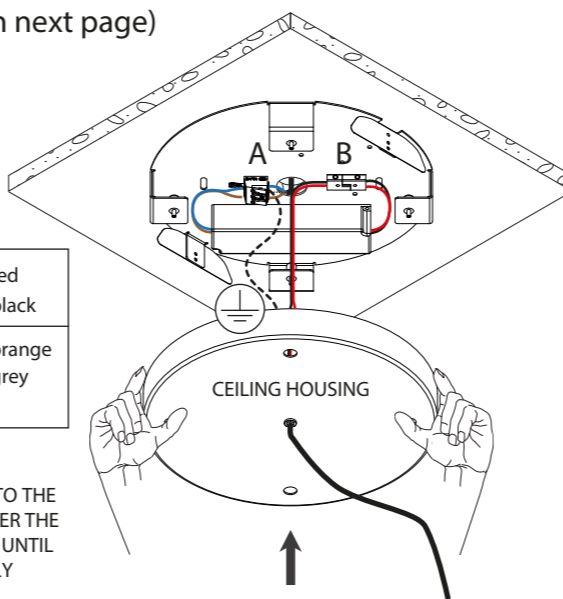
- PUSH 4 STEEL WIRES THROUGH HOLES IN CEILING HOUSING
 AND INTO WIRE CLAMPS ON BRACKET
 .FINE ALIGN RINGO PROFILE HORIZONTALLY



- ADJUST LED SUPPLY CABLE LENGTH
 AND FASTEN STRAIN RELIEF ON INSIDE OF CEILING HOUSING



- MAKE SECONDARY ELECTRICAL CONNECTION(S) IN CONNECTOR(S) B
 .MAKE EARTHING CONNECTION FROM HOUSING IN CONNECTOR A
 (see wiring schemes on next page)



- PUSH CEILING HOUSING GENTLY ONTO THE
 CEILING BRACKET UNTIL IT SNAPS OVER THE
 2 LEAF SPRINGS, APPLY LITTLE TWIST UNTIL
 CEILING HOUSING IS FITTED PROPERLY
 AGAINST CEILING

IMPOSSIBLE COMBINATIONS:
 - TYPE C + C - TYPE D + D
 - TYPE C + E - TYPE D + F

ACCESSORY		optional
NAME	ACCESSORY NAME	
892630	EXTRA CIRCUIT /m COMMON NEUTRAL	
892631	EXTRA CIRCUIT /m NO COMMON NEUTRAL	
892632	EXTRA CIRCUIT /m FOR DIMMING SIGNAL	
298706	FELT COVER ANTHRACITE	
298707	FELT COVER MARBLE	

ALWAYS DISCONNECT MAINS POWER SUPPLY FROM CONVERTER BEFORE SWITCHING "ON" LED LUMINAIRES TO PREVENT HOT PLUGGING ISSUES!

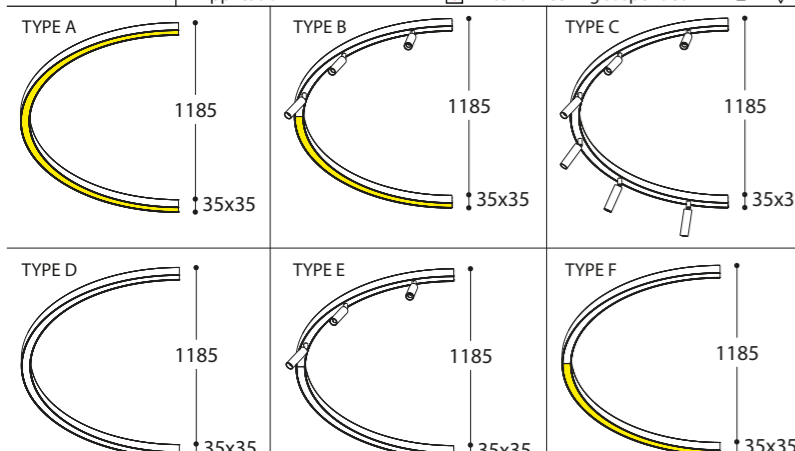
NL Installatie- en onderhoudsrichtlijnen m.b.t. de fabrieksgarantie.
 1. De plaatsing, de aansluiting en het testen van dit toestel dient steeds te gebeuren door een erkend elektro-installateur.
 2. Dit toestel moet geïnstalleerd, verbonden en getest worden volgens de nationaal geldende reglementen op elektrische installaties.
 3. De technische bijsluiter dient te worden beschouwd als een onderdeel van de algemene verkoopvoorwaarden van TAL nv.
 4. De elektro-installateur is verantwoordelijk voor het gebruik van compatibele voorschakelapparatuur die voldoen aan de geldende IEC normen.
 5. Reinig het toestel enkel met een zachte en lichtvochtige doek zonder reinigingsmiddel.
 6. Schakel altijd eerst de elektriciteit uit alvorens het toestel te plaatsen en te installeren.

EN Installation and maintenance instructions regarding the manufacturer's warranty.
 1. Installation, connection and testing of this product must always be performed by a certified electrician.
 2. This product must be installed, connected and tested in accordance with the applicable national regulations for electrical installations.
 3. The technical manual must be regarded as part of the general sales conditions of TAL nv.
 4. The electrical installer is responsible for the use of compatible control gear that meets the applicable IEC standards.
 5. Only clean the device with a soft and slightly moist cloth without detergent.
 6. Always switch off the electricity supply before installing and connecting the product.

SEE NEXT PAGE FOR BASE WIRING SCHEMES

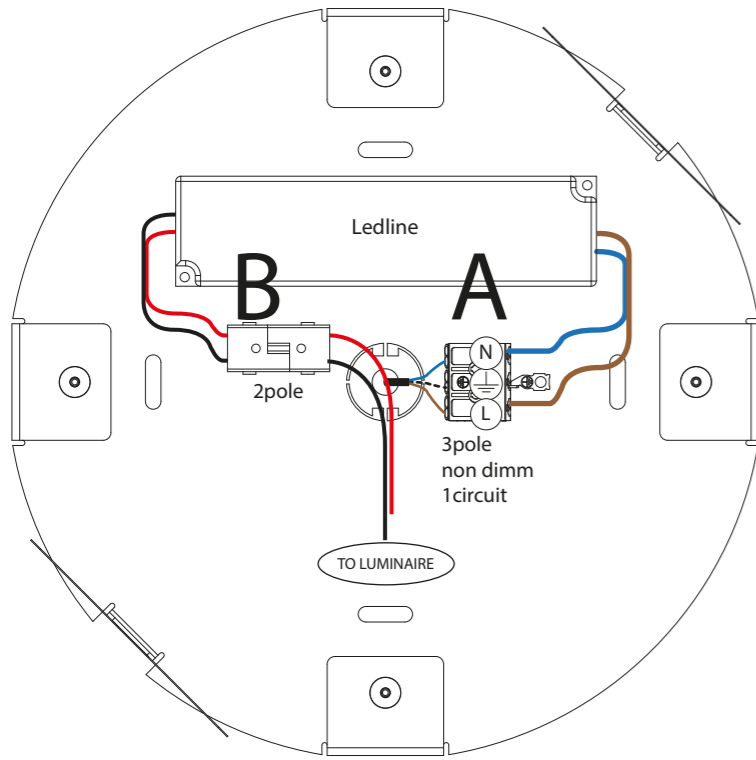
DE Installations- und Wartungsanweisungen bezüglich der Herstellergarantie.
 1. Installation, Anschluß und Prüfung dieses Geräts soll nur von einem anerkannten Elektriker ausgeführt werden.
 2. Dieses Gerät soll in Übereinstimmung mit den nationalen geltenden Vorschriften für Elektroinstallationen installiert, angeschlossen und geprüft werden.
 3. Die technische Anleitung muß als Teil der allgemeinen Verkaufsbedingungen von TAL nv betrachtet werden.
 4. Der Elektroinstallateur ist verantwortlich für die Verwendung von kompatibelen Betriebsgeräten, die den geltenden IEC-Normen entsprechen.
 5. Reinigen Sie das Gerät nur mit einem weichen und leicht feuchten Tuch ohne Reinigungsmittel.
 6. Schalten Sie den Strom immer aus, bevor Sie das Gerät installieren und anschließen.

FR Instructions d'installation et d'entretien concernant la garantie du fabricant.
 1. L'installation, la connexion et les essais de cet appareil doivent toujours être effectués par un électricien reconnu.
 2. Cet appareil doit être installé, raccordé et testé conformément aux réglementations nationales pour les installations électriques.
 3. La notice technique doit être considérée comme faisant partie des conditions générales de vente de TAL SA.
 4. L'installateur électrique est responsable de l'utilisation d'un équipement de contrôle compatible qui satisfait aux normes CEI applicables.
 5. Nettoyez l'appareil uniquement avec un chiffon doux et légèrement humide sans détergent.
 6. Éteignez toujours l'électricité avant d'installer et de connecter l'appareil.

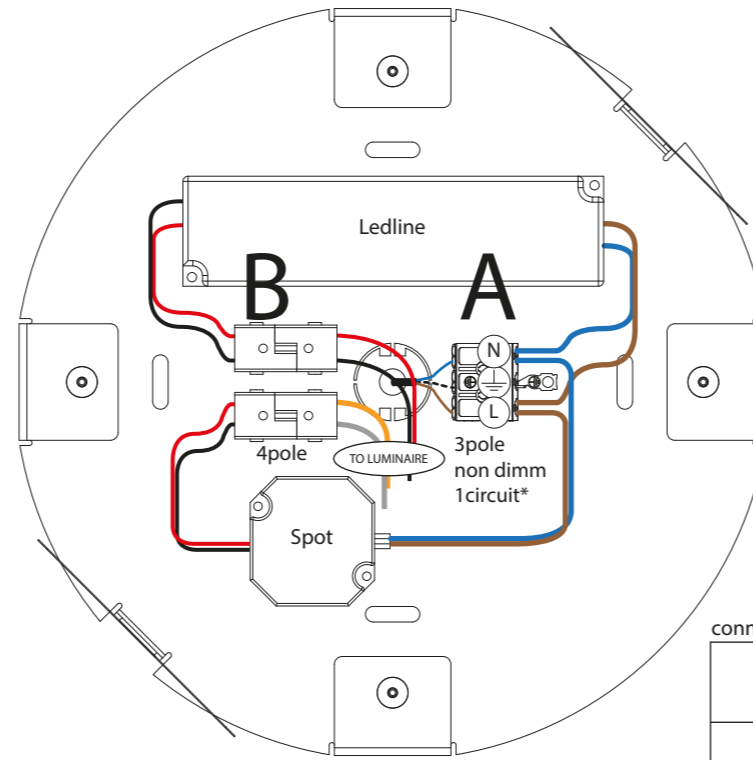


6 POSSIBLE WIRING SCHEMES FOR RINGO 1185 BASES:

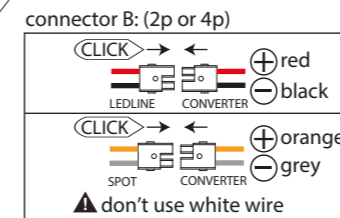
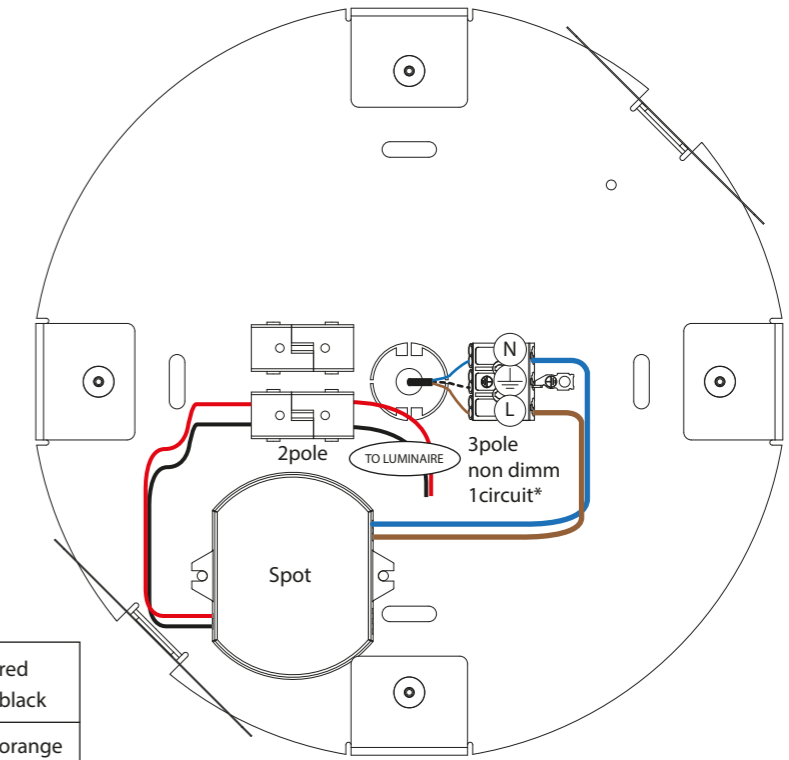
28830X / 29830X
 Ringo Base Ledline



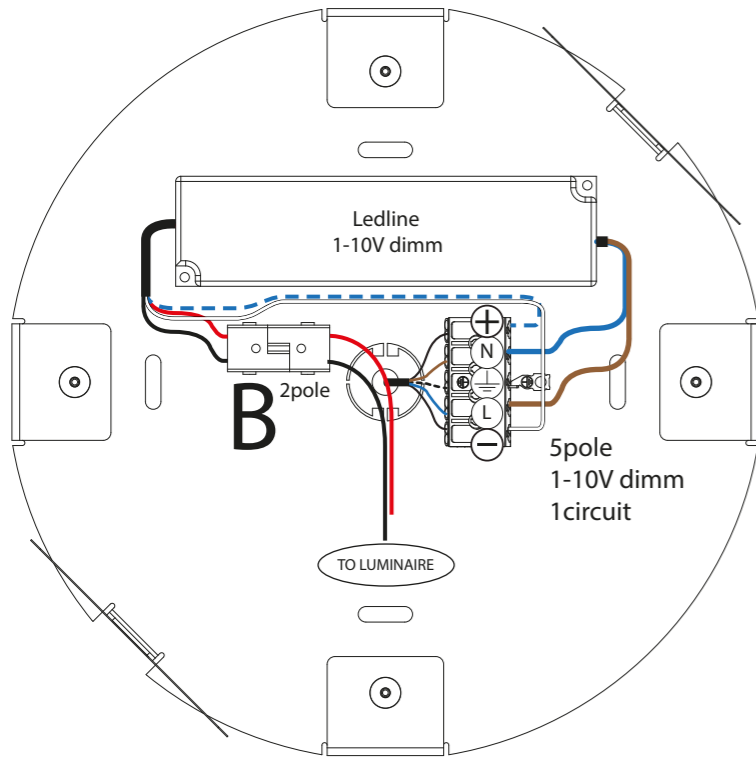
28831X / 29831X / 28832X / 29832X
 Ringo Base Ledline + Spot



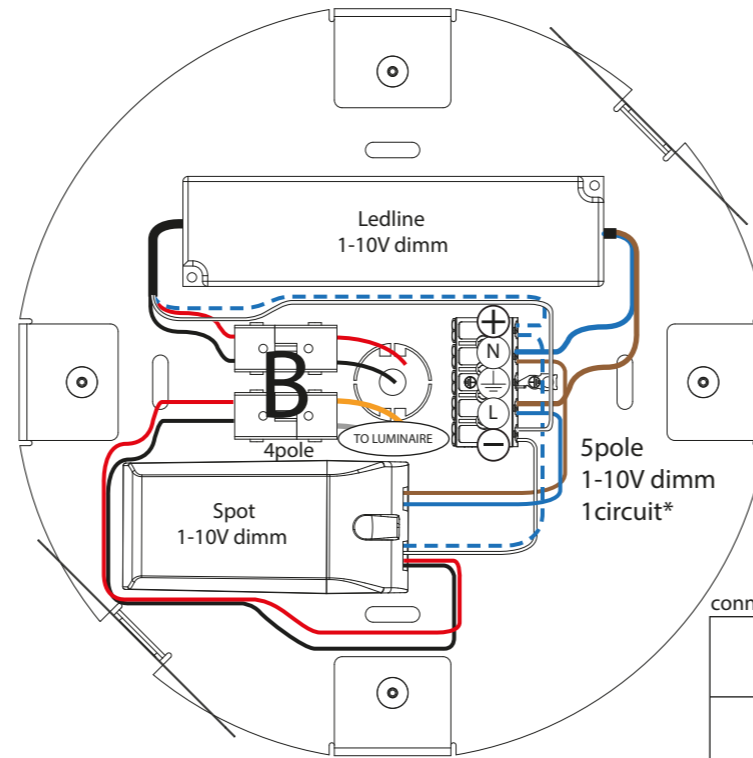
28836X / 29836X
 Ringo Base Spot



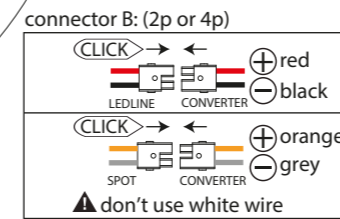
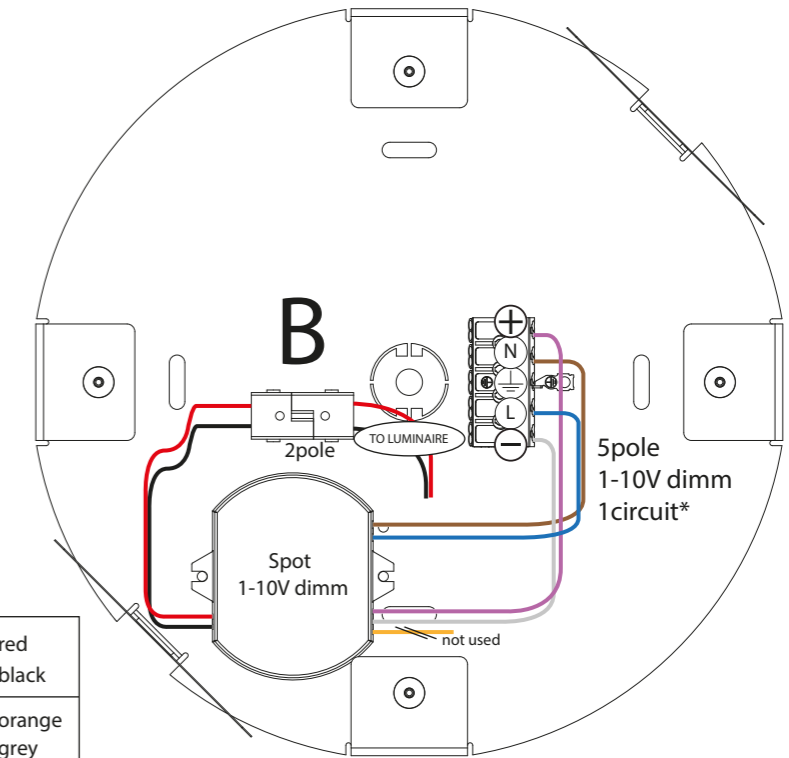
28833X / 29833X
 Ringo Base Ledline 1-10V DIMM




28834X / 29834X / 28835X / 29835X
 Ringo Base Ledline + Spot 1-10V DIMM



28837X / 29837X
 Ringo Base Spot 1-10V DIMM



 *extra primary circuit is possible on request

 *extra primary circuit is possible on request

